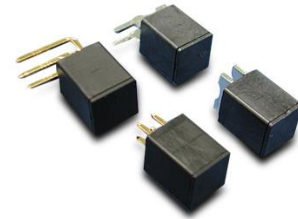


SENSOR SWITCH

Item #	RBS07 Series	Description	TILT SWITCH	Version	V99.0
Page	1 of 6		Date	April 2, 2010	

● FUNCTIONS

1. 45° Tilt Detecting within a 360° radius
2. Up-Side Down Detecting

**● APPLICATIONS**

1. Home appliance tilt-off detection
2. Automotive devices
3. Visual devices
4. Information devices
5. Communication devices
6. Entertainment devices: video game consoles, toys

● FEATURES

1. No electricity consumption during detection status.
2. Housing made of high insulation plastic material, free from electric conduction and rust problem.
3. Gold-plated ball and terminals, low possibility of oxidization.
4. All plastic materials subject to industrial purpose, resist high temperature and meet fireproof function.
5. Simple ON and OFF signals, easy for design.
6. RoHS compliance, an ideal substitute for mercury switch.
7. A more economical tilt and rotation detection option than IC design solution.
8. All made in Taiwan and examined before shipment.

● PATENTS

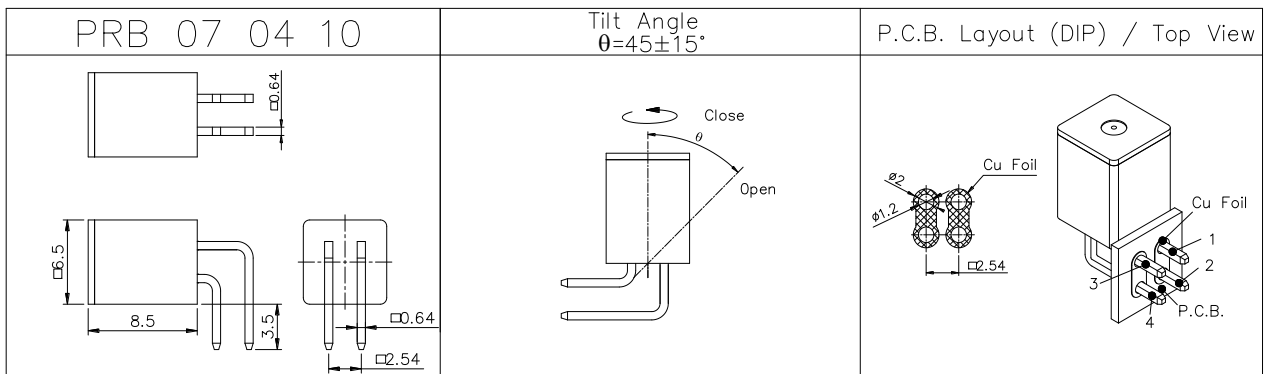
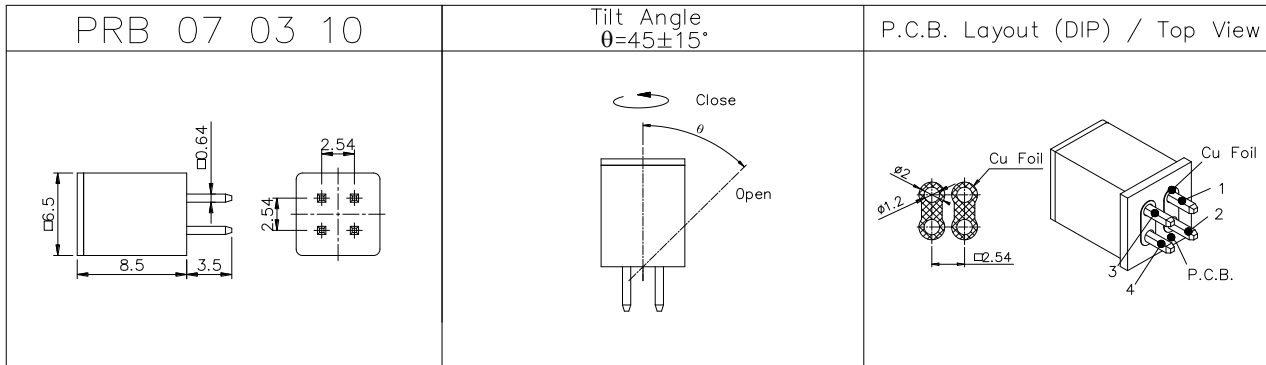
1. TAIWAN Patent NO. 184124
2. U.S.A. Patent NO. US 6,518,523 B1
3. CHINA Patent NO. ZL 01 2 34708.6



SENSOR SWITCH

Item #	RBS07 Series	Description	TILT SWITCH	Version	V99.0
Page	2 of 6		Date	April 2, 2010	

● DIMENSIONS / OPERATION / P.C.B. LAYOUT (Unit: mm, Tolerance: ±0.25mm)

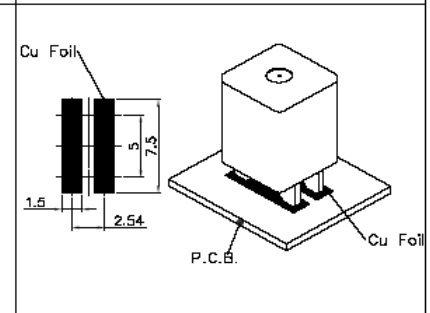




SENSOR SWITCH

Item #	RBS07 Series	Description	TILT SWITCH	Version	V99.0
Page	3 of 6		Date	April 2, 2010	

RBS 07 05 00	Tilt Angle $\theta=45\pm 15^\circ$	P.C.B. Layout (SMT) / Top View



RBS 07 06 00	Tilt Angle $\theta=45\pm 15^\circ$	P.C.B. Layout (DIP) / Top View



SENSOR SWITCH

Item #	RBS07 Series	Description	TILT SWITCH	Version	V99.0
Page	4 of 6		Date	April 2, 2010	

● ELECTRICAL CHARACTERISTICS

1.	Contact Rating	10mA, 5VDC
2.	Contact Resistance	10Ω max.
3.	Differential Angle	Refer to the drawing
4.	Switching Type	Normal Close (NC)
5.	Insulation Resistance	1,000MΩ min. at 100VDC
6.	Dielectric Strength	500VDC min. for 1 minute
7.	Capacitance	5pF max.

● MECHANICAL CHARACTERISTICS

1.	Temperature Range	Operating: -25°C to +85°C Storage: -40°C to +85°C
2.	Pull Force of Terminal	500 gf for 1 minute
3.	Operation Life	100,000 cycles
4.	Humidity	95% RH, 40°C for 96 hrs.
5.	Solder Ability	After flux 260±5°C for 5±0.5 seconds 95% coverage
6.	Reflow Soldering Heat for SMT Type (For RBS070500)	Reflow zone 260±5°C for 20 seconds max.

● BILL OF MATERIAL

1.	Housing	Polyamide + Glass-Fiber (RBS070300, RBS070310, RBS070400, RBS070410) Liquid Crystal Polymer + Glass-Fiber (RBS070500, RBS070600)
2.	Cover	Polyamide + Glass-Fiber (RBS070300, RBS070310, RBS070400, RBS070410) Liquid Crystal Polymer + Glass-Fiber (RBS070500, RBS070600)
3.	Terminal	Copper Alloy, Gold Plated over Nickel
4.	Ball	Copper Alloy, Gold Plated over Nickel



SENSOR SWITCH

Item #	RBS07 Series	Description	TILT SWITCH	Version	V99.0
Page	5 of 6		Date	April 2, 2010	

● PACKAGE

	Part Number	Package	Quantity	Total	Size
1.	RBS0703	PE Bag	500 pcs	500 pcs	12.7 x 17.8 (cm)
		Inner Box	10 Bags	5,000 pcs	36 x 20 x 9 (cm)
		Carton	3 Boxes	15,000 pcs	36 x 28 x 23 (cm)
2.	RBS0704	PE Bag	500 pcs	500 pcs	12.7 x 17.8 (cm)
	RBS0705	Inner Box	8 Bags	4,000 pcs	36 x 20 x 9 (cm)
	RBS0706	Carton	3 Boxes	12,000 pcs	36 x 28 x 23 (cm)
3.	RBS0705	Reel	800pcs	8000pcs	30 x 30 (cm)
		Inner Box	2 Reels	1,600 pcs	36 x 34 x 7 (cm)
		Carton(1)	4 Boxes	6,400 pcs	37 x 36 x 31 (cm)
		Carton(2)	10 Boxes	16,000 pcs	70 x 36 x 38 (cm)

* Minimum Order Quantity: One Bag / One Reel

● NOTE

1. Suggestion for Application: Application in occasions that require vibration functions, adding design of "ON DELAY" is recommended. For great vibration, Optical type products are recommended.
2. Suggestion Contact Rating: 5mA
3. For the continued product improvement as one of the company policy, specifications may change or update without notice. The latest information can be obtained through our sales offices. Normally, all products are supplied under our standard conditions.



SENSOR SWITCH

Item #	RBS07 Series	Description	TILT SWITCH	Version	V99.0
Page	6 of 6		Date	April 2, 2010	

● PRECAUTIONS FOR USE

1. If the products is intended to be used for other endurance equipments requiring higher safety and reliability such as life support system, space and aviations devices, disaster and safety system, it's necessary to make verification of conformity or contact us for the details before using.
2. Don't try to clean the switch with a solvent or similar substance after the soldering process.
3. The switch might be damaged if using the water-soluble flux.
4. Don't use the switch in the environment with high humidity or other bedewing possibility, as it may cause leaking among the terminals.
5. It might catch fire if the rating exceeds the specifications. Never use the switch beyond the rating.